



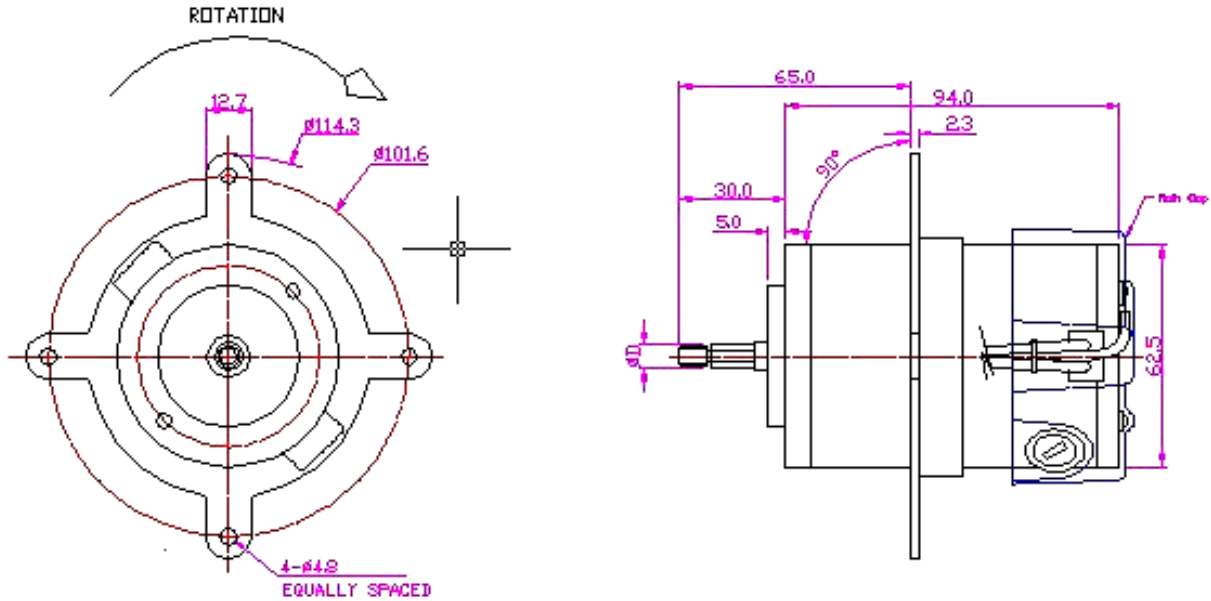
Product Catalogue

產品目錄

Model 型號: DC 4030 series

代表型號的用途: 車用抽氣扇 / 醫療設備 / 保健產品等

Typical Application: Automobile Exhausted Fan / Medical Equipment / Health Care Product



D = 8mm; Output Condition: Lead-wire, Terminal, Custom made Shaft

MODEL	VOLTAGE		NO LOAD		AT MAXIMUM EFFICIENCY				STALL			
	OPERATION RANGE	NOMINAL (CONSTANT)	SPEED r/min	CURRENT A	SPEED r/min	CURRENT A	TORQUE mN.m	TORQUE g.cm	OUTPUT W	TORQUE mN.m	TORQUE g.cm	CURRENT A
DC4030M13	11.0 ~ 16.0	13.8V	1200	0.30	1000	1.00	81.8	825	8.76	269.7	2720	2.80
DC4030M22	200~240V	220V	3200	0.08	2300	0.35	117	1200	46	470	4800	1.7

DC4030 13.8V

