

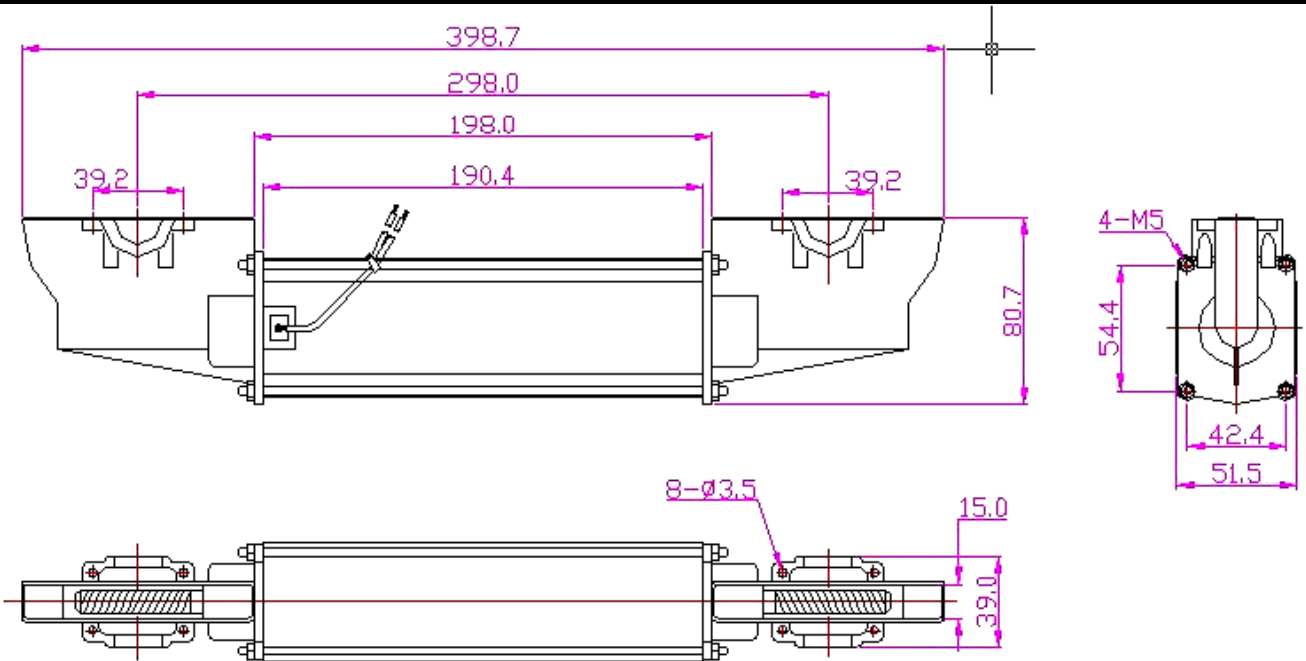
Product Catalogue

產品目錄

Model 型號: DC 4063 series

代表型號的用途：腳部護理機 / 保健產品等

Typical Application: Foot Massager / Health Care Product



Output Condition: Lead-wire, Terminal, Custom made Shaft

MODEL	VOLTAGE		NO LOAD		AT MAXIMUM EFFICIENCY					STALL		
	OPERATION RANGE	NOMINAL (CONSTANT)	SPEED	CURRENT	SPEED	CURRENT	TORQUE	OUTPUT	TORQUE	CURRENT		
			r/min	A	r/min	A	mN.m	g.cm	W	mN.m	g.cm	A
DC4063M22	195V ~ 240V	220V	2000	0.12	1500	0.40	263	2700	42.15	767	7700	0.90
DC4060M11	100~130V	110V	2000	0.20	1550	0.60	280	2850	58.2	850	8670	1.3

DC4063M22 220V

