



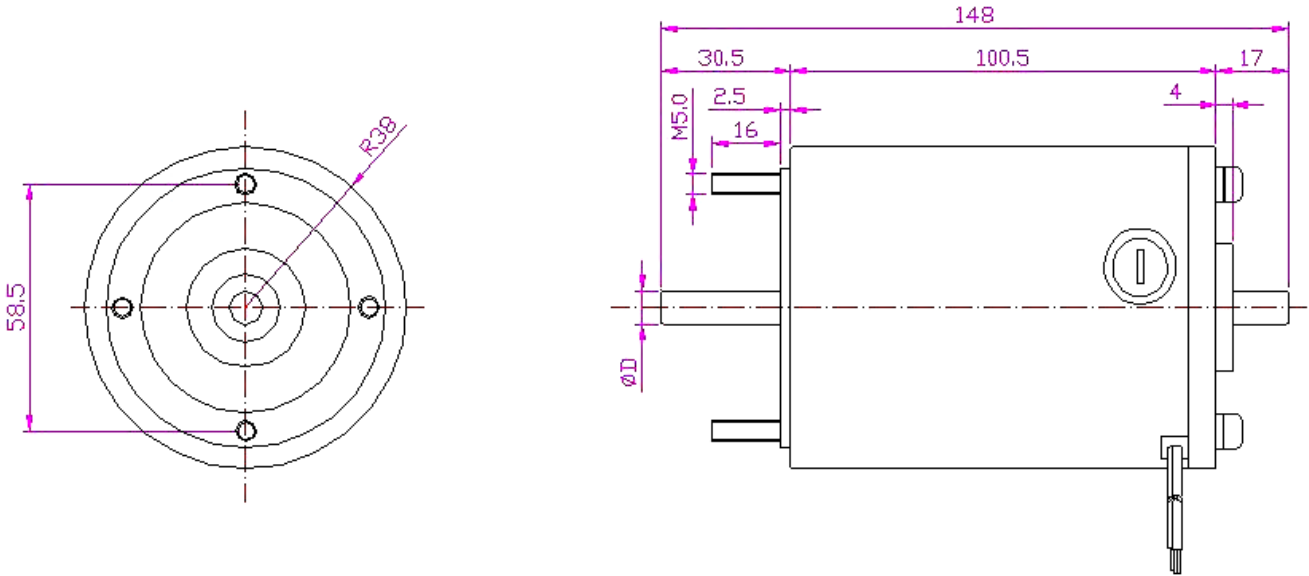
Product Catalogue

產品目錄

Model 型號: DC 5330 series

代表型號的用途: 攪拌器 / 製麵機 / 按摩器 / 工業工設備 / 保健產品等

Typical Application: Blender / Noodle Machine / Massager / Industrial Equipment / Health Care Product



D = 8mm; Output Condition: Lead-wire, Terminal, Custom made Shaft

MODEL	VOLTAGE		NO LOAD		AT MAXIMUM EFFICIENCY					STALL		
	OPERATION RANGE	NOMINAL (CONSTANT)	SPEED	CURRENT	SPEED	CURRENT	TORQUE	OUTPUT	TORQUE	CURRENT		
			r/min	A	r/min	A	mN.m	g.cm	W	mN.m	g.cm	A
DC5030M12	10V ~ 14V	12.0V	2700	0.50	2100	3.00	88.9	910	20.15	270	2800	7.50
DC5330M22	200~240V	220V	5500	0.17	4100	1.10	510	5200	220	3100	31600	6.20

DC5030-6 12V

