



Product Catalogue

產品目錄

Model 型號: RC-260

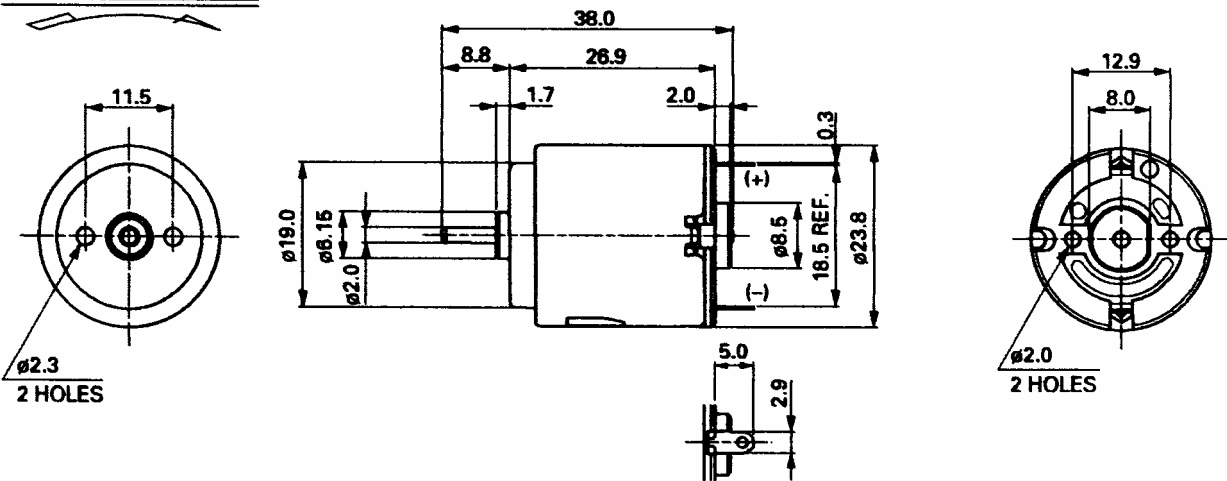
代表型號的用途：家用電器：按摩器 / 振動器
玩具及模型：無線電操縱

Typical Application: Home Application: Massager / Vibrator
Toys and Models: Radio Control Model



DIRECTION OF ROTATION

UNIT: MILLIMETERS

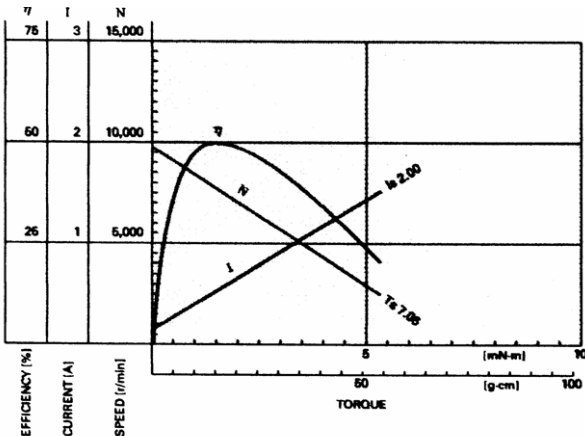


WEIGHT: 28g (APPROX)

MODEL	VOLTAGE		NO LOAD		AT MAXIMUM EFFICIENCY					STALL		
	OPERATION RANGE	NOMINAL (CONSTANT)	SPEED r/min	CURRENT A	SPEED r/min	CURRENT A	TORQUE mN.m	TORQUE g.cm	OUTPUT W	TORQUE mN.m	TORQUE g.cm	CURRENT A
RC-260RA-18130	4.5 ~ 6.0	4.5V	9800	0.14	7750	0.53	1.48	15.1	1.20	7.06	72	2.00
RC-260RA-2670	3.0 ~ 4.5	4.5V	18500	0.30	15290	1.43	2.14	21.8	3.41	12.3	125	6.00
RC-260SA-2670	3.0 ~ 4.5	4.5V	13700	0.24	11520	1.27	2.66	27.1	3.20	16.7	170	6.70
RC-260SA-2295	3 ~ 6	4.5V	10200	0.20	8300	0.87	2.43	24.7	2.11	13.0	133	3.80

RC-260RA-18130

4.5V



RC-260SA-2670

4.5V

