

Product Catalogue

產品目錄

Model 型號: SN-2044 / SN-2844

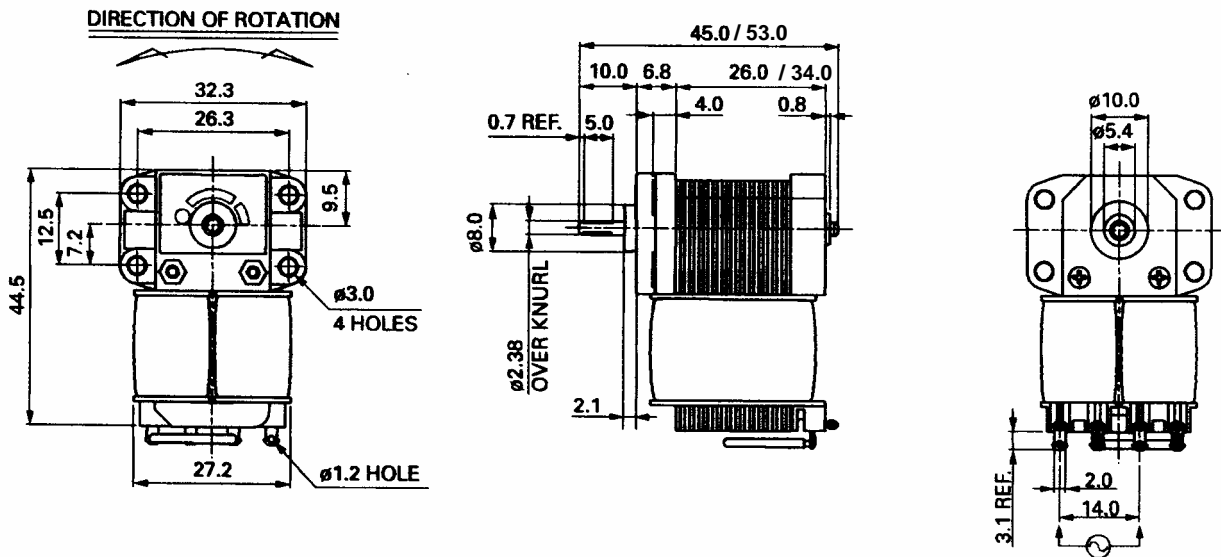
代表型號的用途: 家庭電器: 榨汁機

Typical Application: Home Appliance: Juicer



Direction of rotation is controlled mechanically.

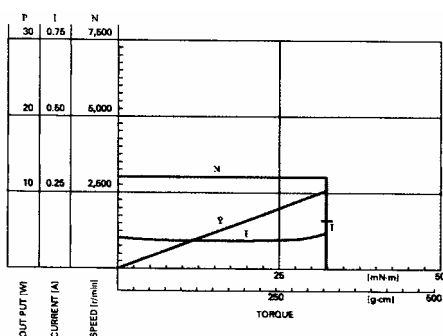
UNIT: MILLIMETERS



WEIGHT: 130g / 160g (APPROX)

MODEL	VOLTAGE		ELECTRIC PERFORMANCE				
	OPERATION RANGE	NOMINAL (CONSTANT)	SPEED	CURRENT	INPUT	PULL OUT TORQUE	
			r/min	A	W	mN.m	g.cm
SN-2044PA-112700	220 ~ 240V / 50Hz	230V / 50Hz	3000	0.10	10.2	32.3	330
SN-2044PA-161300	110 ~ 120V / 60Hz	120V / 60Hz	3600	0.17	8.5	27.4	280
SN-2844PA-122100	220 ~ 240V / 50Hz	230V / 50Hz	3000	0.14	11.5	37.2	380
SN-2844PA-181000	110 ~ 120V / 60Hz	120V / 60Hz	3600	0.27	13.0	35.3	360

SN-2044PA-112700 230V / 50Hz



SN-2844PA-181000 120V / 60Hz

