



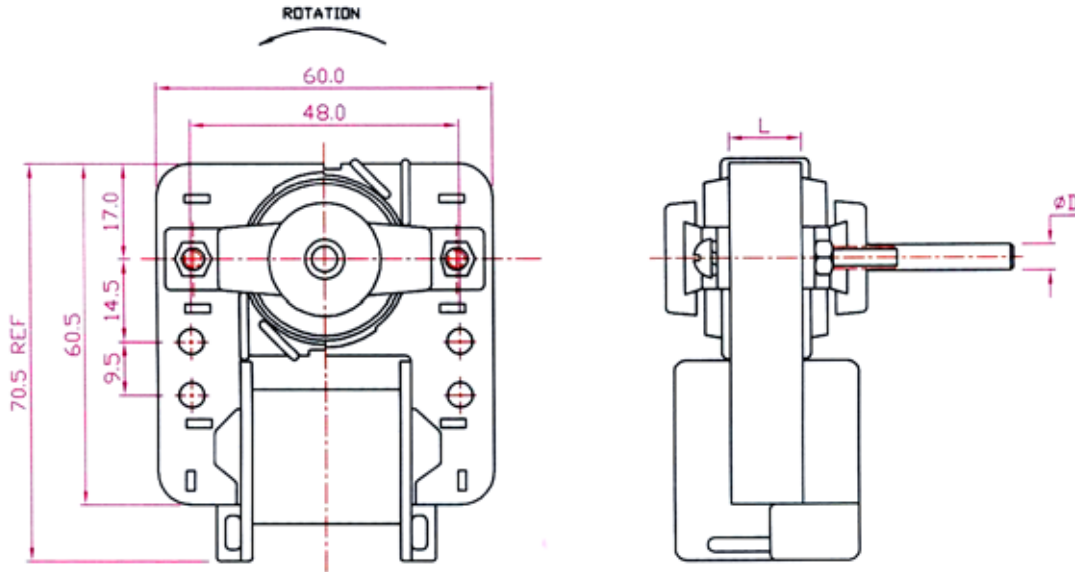
Product Catalogue

產品目錄

Model 型號: SXD60 series

代表型號的用途: 冰箱 / 空調 / 排風機 / 除濕機 / 烤箱 / 電磁爐及各種家庭電器等

Typical Application: Refrigerator / Air-Conditioner / Ventilating fan / Dehumidifier /  
Oven / Microwave Oven / Induction Heating Stove and  
Other Household Electric Appliance.



L = 7mm ~ 50mm    D = 3mm ~ 8mm    Output Condition: Lead-wire, Terminal, Multi-speeds

MODEL	VOLTAGE		NO LOAD		AT MAXIMUM EFFICIENCY					STALL		
	OPERATION RANGE	NOMINAL (CONSTANT)	SPEED r/min	CURRENT A	SPEED r/min	CURRENT A	TORQUE mN.m	TORQUE g.cm	OUTPUT W	TORQUE mN.m	TORQUE g.cm	CURRENT A
YJF613BC-507	220 ~ 240V 50Hz	240V / 50Hz	2870	0.108	2400	0.15	14.7	150	3.7	16.2	165	0.14
YJF613BC-607	100 ~ 120V 60Hz	120V / 60Hz	3500	0.230	2900	0.26	12.3	125	3.7	13.2	135	0.26

YJF613BC-502    240V / 50Hz

