

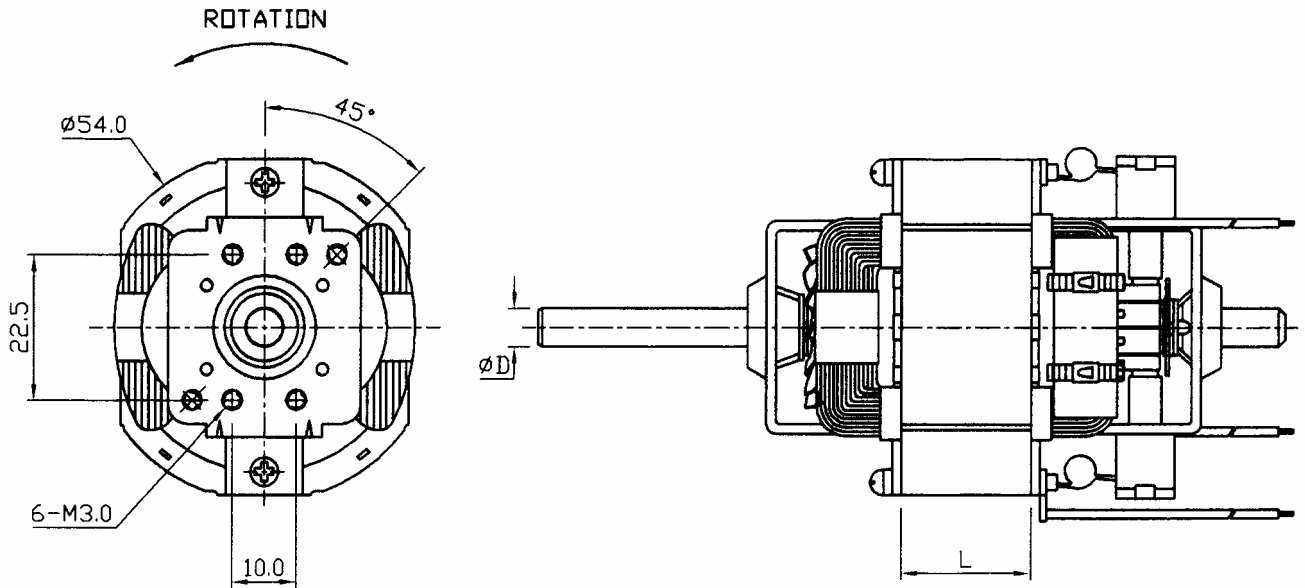
Product Catalogue

產品目錄

Model 型號: U54 series

代表型號的用途: 攪拌器 / 壓碎機 / 多用途食物處理器 / 及各種家庭電器等

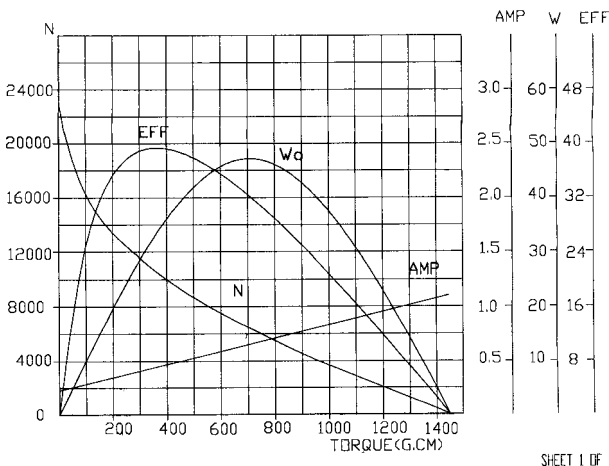
Typical Application: Blender, Can Crusher, Food Processor and many other Household Electric Appliances.



L = 12mm ~ 40mm D = 4.5 ~ 6.35mm Output Condition: Lead-wire, Terminal, Multi-speeds, Custom made Shaft

MODEL	VOLTAGE		NO LOAD		AT MAXIMUM EFFICIENCY				STALL			
	OPERATION RANGE	NOMINAL (CONSTANT)	SPEED r/min	CURRENT A	SPEED r/min	CURRENT A	TORQUE mN.m	TORQUE g.cm	OUTPUT W	TORQUE mN.m	TORQUE g.cm	CURRENT A
U8820-230	195 ~ 240V 50Hz	230V / 50Hz	22000	0.22	10270	0.47	39.2	400	42	142.2	1450	1.2
U8830-120	102 ~ 138V 60Hz	120V / 60Hz	25000	0.70	15000	1.20	49.0	500	80	176.5	1800	2.6

U5420-230 230V / 50Hz



SHEET 1 OF 1