

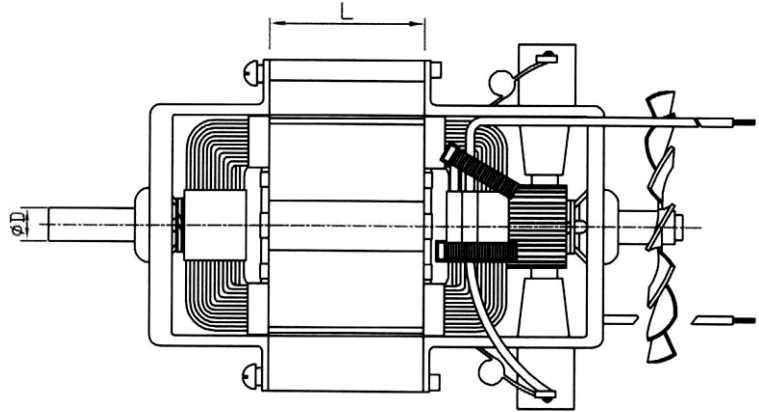
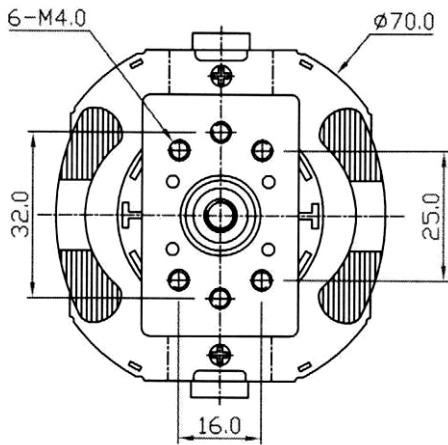


Product Catalogue
產品目錄

Model 型號: U70 series

代表型號的用途: 攪拌器 / 壓碎機 / 多用途食物處理器 / 及各種家庭電器等

Typical Application: Blender, Can Crusher, Food Processor and many other Household Electric Appliances.



L = 10mm ~ 45mm D = 6.35mm ~ 7.14 Output Condition: Lead-wire, Terminal, Multi-speeds, Custom made Shaft

MODEL	VOLTAGE		NO LOAD		AT MAXIMUM EFFICIENCY					STALL		
	OPERATION RANGE	NOMINAL (CONSTANT)	SPEED r/min	CURRENT A	SPEED r/min	CURRENT A	TORQUE mN.m	TORQUE g.cm	OUTPUT W	TORQUE mN.m	TORQUE g.cm	CURRENT A
U7030-110	100V ~ 120V 60Hz	110V / 60Hz	22000	1.04	10300	2.63	140	1500	280	310	3200	4.46
U7030-230	220 ~ 240V 50Hz	230V / 50Hz	22000	0.48	12200	1.46	160	1600	300	668	6800	2.51

U7030-230 230V / 50Hz

